



Heat Gun

Instruction Manual

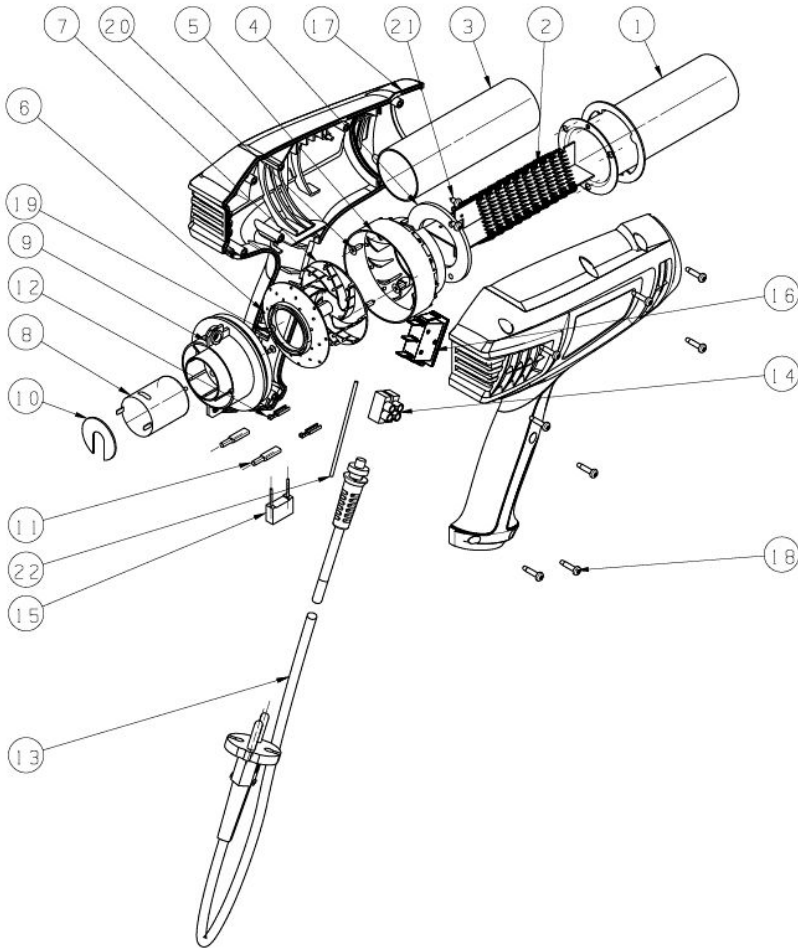
*We've tried to make this manual useful, simple, and understandable.
Please read it carefully, and keep it safe for future reference.*



WHAT'S INSIDE THIS MANUAL

TECHNICAL SPECIFICATIONS	2
THE ABC'S OF HEAT GUN SAFETY	3
Work area safety	5
Personal safety	6
HOW TO USE YOUR HEAT GUN	7
How to switch the heat gun on/off	7
How to prevent overheating	8
How to use the heat gun for removing varnish or softening adhesives	8
How to use the heat gun for removing varnish or paint from windows	9
How to use the heat gun for shaping plastic tubing	9
How to use the heat gun for welding plastic	10
How to use the heat gun for shrinking	10
How to use the heat gun for defrosting water pipes	11
How to use the heat gun for soft soldering	11
MAINTENANCE	12
HEAT GUN LIABILITY	12
DISPOSAL	12
WARRANTY	13
HOW TO CONTACT NOCRY	14

TECHNICAL SPECIFICATIONS



- 1.** Insulated Tube **2.** Heating Element **3.** Mica Paper **4.** Heat Insulation Ring **5.** Diffuser **6.** Fan Base **7.** Fan **8.** Electric Motor **9.** Motor Housing **10.** Circular Circuit Board **11.** Line Terminal 2.8 Sheath **12.** Line Terminal 2.8 **13.** Power Cord **14.** Terminal/Diode **15.** Capacitance **16.** Switch **17.** Housing **18.** Shell Screw **19.** Motor Screw **20.** Wind Pipe Screw **21.** Belt Screw **22.** Brown Connecting Line

Model	NoCry NHG-04NZ Heat Gun
Voltage	120V, 60Hz
Rated power	1500W / 12.5A
Air flow	I: 10.6 ft ³ /min II: 17.7 ft ³ /min
Temperature at the nozzle outlet	I: ~662°F II: ~1022°F
Protection class	□/II

THE ABC'S OF HEAT GUN SAFETY

Read all safety warnings and instructions *before* using your heat gun. They're pretty reasonable, and neglecting them may bring a touch of electric shock, fire, and/or serious injury to your heat gun-ing sessions. There are other (and much better) ways to get your adrenaline going.

Save this manual for future reference, review in between uses, and make sure that anyone who's going to test your new heat gun has read and fully understood all the information in here as well.

In case this manual happens to disappear in the black hole all manuals seem to go into, you can get a digital version of it at <https://nocry.com/pages/instructions>, or by letting us know to wecare@nocry.com.

So, let's get to it, shall we?

- ✓ **Only use your heat gun for its intended purpose.** That includes the forming and welding of plastic, removal of paint and the warming of heat-shrinkable tubing, soldering and tinning, loosening of adhesive joints, and the defrosting of water lines.
- ✓ **Be aware of the fact that your heat gun produces heat, lots of it.** Make sure to not operate it around flammable or explosive materials and spaces.
- ✓ **Do not direct the hot air flow to the same spot for too long.** Among other things, doing this may help develop flammable gases when working with plastic, paint, varnish or similar materials.
- ✓ **Never point the heat gun at yourself, other people or animals.** Also, please do not use it for cooking food. It's not a hairdryer either.
- ✓ **Keep the cord and your digits away from the metal nozzle.** The nozzles become very hot, so always use heat resistant gloves when handling them. Also, make sure to never obstruct the air flow from the gun.
- ✓ **Let your heat gun cool down completely before putting it in storage.** Do it by laying the gun on its back, so that the nozzle does not touch any surfaces and thus don't damage them.
- ✓ **Do not leave the heat gun unattended while it's turned on or plugged in.** Pretty obvious, but needs to be said.
- ✓ **Do not use your heat gun if it doesn't work as it should, or if the cord is damaged.** Get it repaired or replaced before using. If you should have any problems or concerns about anything, anything at all, let us know by emailing wecare@nocry.com.
- ✓ **Clean the heat gun after every use.** Especially pay attention to removing dry paint from the nozzle and scraper frequently, as it can ignite.
- ✓ **Do not take unnecessary risks by trying to reach areas that are obviously too far away to reach safely.** Keep proper footing and balance at all times - it'll help you keep control in unexpected circumstances, whether it be the heat gun

slipping out of your hands, or someone deciding it would be fun to attempt to pull a jumpscare on you in your workshop.

- ✓ **Do not abuse the cord.** The cord isn't the reason you're having a bad day - and it won't be, if you don't use it for carrying, pulling, or unplugging the heat gun, and will keep it away from heat, oil, sharp edges, and moving parts.
- ✓ **Ensure the switch is in the off-position before connecting to the power source, picking up, or carrying the heat gun.** Also, unplug your heat gun before making any adjustments, putting it in storage, or when the power supply is interrupted.
- ✓ **Make sure that anyone using your heat gun or servicing it is acquainted with this manual.** The exception to the rule are children and infirm people - they shouldn't be using your heat gun even if they remember every word written here.
- ✓ **To keep your heat gun well-maintained,** regularly check if any parts are misaligned, damaged or broken, or if there's anything else that might affect its performance. If you notice anything odd, definitely bring the heat gun for repair *before* using it.
- ✓ **Work or repairs on the heat gun should only be carried out by a professional.** It's best to leave the really serious stuff to a qualified repair person who only uses original replacement parts.
- ✓ **Avoid bodily contact with earthed or grounded surfaces** such as pipes, radiators, stoves, and refrigerators.

Work area safety

- ✓ **Keep your working area clean, well illuminated and well ventilated.** Accidents are much more likely to happen in dirty, unorganised, or poorly lit workspaces - accidents that are easy to avoid with basic upkeep.

- ✓ **Consider your working environment.** Do not operate power tools in explosive atmospheres, such as in the presence of flammable liquids, gases, or dust. Power tools create sparks which may ignite the dust or fumes.
- ✓ **When working outside, use an extension cord meant specifically for outdoor use, and of an appropriate length.** It's going to be much more convenient, and will reduce the risk of an electric shock.
- ✓ **Your heat gun is not waterproof or splash proof.** Do not use it in the rain, spray with water, or immerse in liquid. It's an electric tool after all.
- ✓ **If damp conditions are unavoidable,** use a residual current device (RCD) protected supply.
- ✓ **Secure any movable workpiece(s) you're working on.** A workpiece secured with suitable clamps or in a vice is much more likely to be steady and stay in place than one held by hand.
- ✓ **Keep children and bystanders away.** Distractions can easily cause you to lose control, so consider operating your power tools a solo venture. You'll catch up with everyone later, when you've made progress with your project.
- ✓ **If you absolutely *must* have children in the working area, ensure that they're always closely supervised by another, *responsible*, adult,** and do not interfere with your work.

Personal safety

- ✓ **Certified eye and heat resistant hand protection is a must** when operating your heat gun, as well as respiratory protection, if the working conditions are dusty. Do not underestimate the power of personal safety equipment. By the way, everyday eye glasses are *not* safety glasses.

✓ **Common sense is the best protection, isn't it?** Stay alert - watch what you're doing, exercise common sense, and do not operate the heat gun when you're tired or under the influence of drugs, alcohol, or strong medication.

NB #1: Extreme care should be taken when stripping paint. The peelings, residue, and vapors of paint may contain lead, which is poisonous. Any pre-1992 paint may contain lead, and paint applied to homes prior to 1970 is likely to contain lead. Once deposited on surfaces, hand-to-mouth contact can result in ingestion of lead.

Exposures to even low levels of lead can cause irreversible brain and nervous system damage; young and unborn children are particularly vulnerable. Before beginning paint removal, determine whether the paint contains lead at your local health department or by a professional using a paint analyzer. Lead based paint should only be removed by a professional and should not be removed using a heat gun.

NB #2: NoCry Work & Safety Gear and the manufacturer shall not be liable for any changes made to the tool, nor for any damage resulting from such changes.

HOW TO USE YOUR HEAT GUN

How to switch the heat gun on/off

To switch it on, push the on-off switch to the position "I" or "II". Some smoke may be emitted after switching it on for the first time, but no worries - that is called burn-in smoke, and does not indicate a problem.

To switch it off, push the on-off switch to the position "O".

How to prevent overheating

There isn't really much you need to do, as the heat gun has a built-in thermal protection system. In case of overheating (e.g. due to air build-up), it automatically shuts off the heating system - but the blower continues to run. When the heat gun has cooled down to the operating temperature, the heating system is automatically switched on again.

However. Do not keep the nozzle too close to the workpiece, as it leads to excessive hot air build-up, which will lead to overheating. And after operating the heat gun at a high temperature for a longer period, switch to the position "I" for a while before switching the heat gun off completely. That's it.

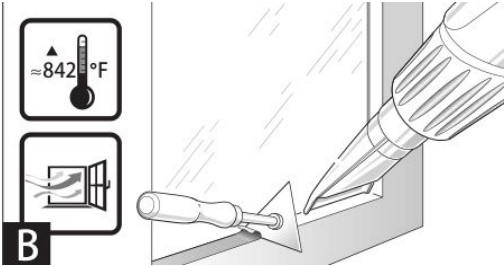
How to use the heat gun for removing varnish or softening adhesives



Mount the wide jet nozzle (included). Briefly soften the varnish applying hot air and remove it using a sharp, clean scraper or putty knife. Applying heat too long will burn the varnish, making it more difficult to remove.

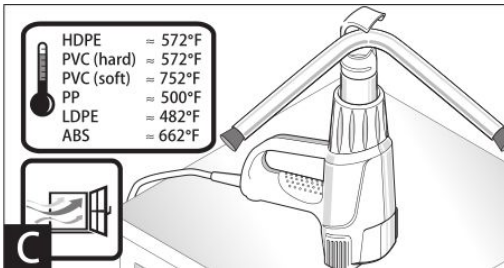
Many adhesives (e.g. of stickers) become soft when heated. Heated adhesives allow for bonds to be separated or excessive adhesive to be removed.

How to use the heat gun for removing varnish or paint from windows



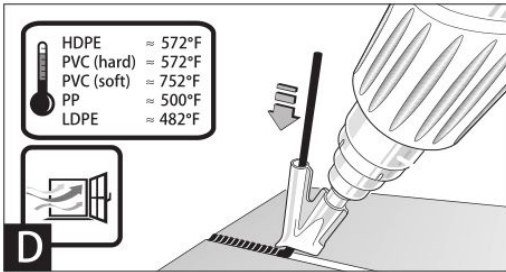
Using of the glass protection nozzle (included) is essential, as there is a danger of the glass breaking from the applied heat. On profiled surfaces, varnish can be removed using an appropriately fitting spatula and brushed off with a soft wire brush.

How to use the heat gun for shaping plastic tubing



Mount the reflector nozzle (included). To avoid kinking of the tubing, fill the tubing with sand, and plug both ends. Heat the tubing evenly by applying the heat from side to side.

How to use the heat gun for welding plastic

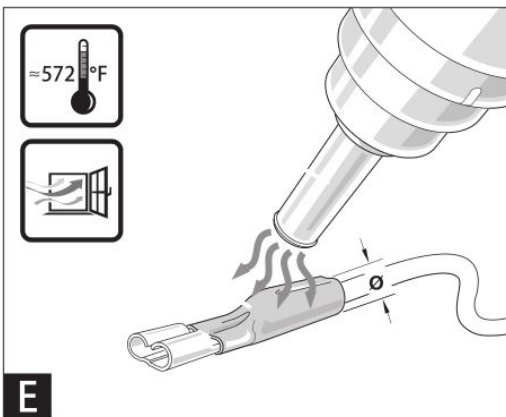


Mount the reduction nozzle (included) and the welding shoe (not included). The workpieces to be welded and the welding rod (accessory) must be of the same material (e.g. both of PVC). The seam must be clean and grease-free.

Carefully heat up the seam location until it becomes doughy. Please note that the temperature difference between the doughy and liquid state of plastic is low.

Feed in the welding rod and allow it to run into the gap so that a uniform bead is produced.

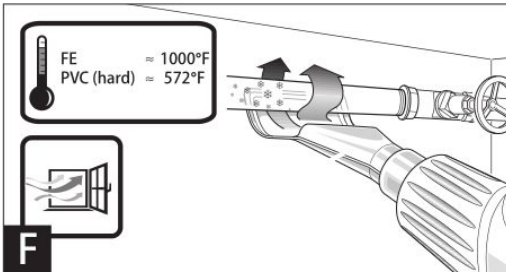
How to use the heat gun for shrinking



Mount the reduction nozzle (included). Select the diameter of the heat-shrinkable sleeve (not included) according to the workpiece (e.g. a cable lug). Heat the heat-shrinkable sleeve evenly.

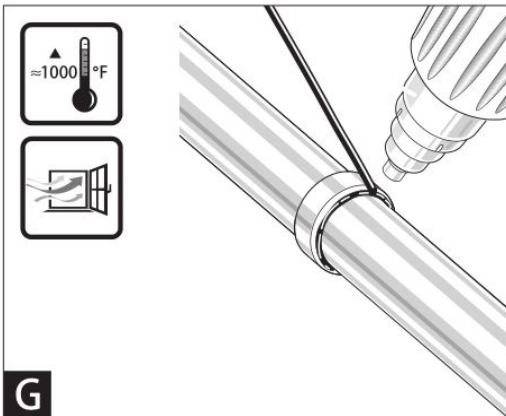
How to use the heat gun for defrosting water pipes

Before heating pipes, check to make sure that it is actually a water pipe. Water lines often do not differ in appearance from gas lines. Gas lines are not to be heated under any circumstances.



Place on the reflector nozzle (included). Heat the frozen zone from the outside to the middle. Heat up plastic pipes as well as connections between pipe pieces especially careful to prevent damage.

How to use the heat gun for soft soldering



For point soldering, place on the reduction nozzle, for the soldering of pipes/tubing, place on the reflector nozzle (both accessories included).

If solder without flux is used, apply soldering grease or paste to the location to be soldered. Warm the location to be soldered for 50–120 seconds depending on the material. Apply the solder. The solder must melt from the

workpiece temperature. After the soldered location has cooled, remove the flux.

MAINTENANCE

Before any work on the heat gun itself, pull the mains plug. For safe and proper working, always keep the machine and ventilation slots clean.

If the replacement of the supply cord is necessary, this has to be done by an authorized service agent in order to avoid a safety hazard. Use only mild soap and damp cloth to clean the tool. Never let any liquid get inside the heat gun, and never immerse any part of it into a liquid.

HEAT GUN LIABILITY

This product is covered by an EU directive, valid since 01.01.1990, specifying that the manufacturer is only liable for products if all the parts originate from the manufacturer or are approved by them, and if the units are mounted and operated properly.

If accessories or spare parts from third parties are used, liability can be partially or completely inapplicable. So no using those shifty parts you picked up on the cheap. In extreme cases the responsible authorities can prohibit the use of the entire unit. We recommend you always buy original parts and accessories as compliance with all safety regulations is guaranteed, meaning you are covered and protected. Another weight off your mind.

DISPOSAL

Do not discard of this heat gun together with household products. Electrical products used must be collected separately and disposed of at collection points provided for this purpose. Check in with your local authorities or dealer for advice on recycling.

WARRANTY

All NoCry products are inspected and tested to ensure their quality before leaving the factory. If you're not happy with your NoCry product, please contact us within 30 days of receiving it at wecare@nocry.com to return it for free for a replacement product or to receive a full refund. The choice is yours.

Each NoCry electric product is warranted to be free of defects in material and workmanship for the period of FOUR years from the date of original purchase. Warranty does not cover normal wear and tear, abuse, altered products, modifications, and products that have been repaired or attempted to be repaired by others than NoCry. At NoCry's discretion, a defective product will be repaired or replaced.

This warranty gives you specific legal rights, but may be superseded by any other rights or warranties in effect, which may vary from state to state (or based on your local jurisdiction). If you think you might have a defective product, please contact us at wecare@nocry.com. Our customer care team will be happy to help and start the (free) procedure to determine whether your product is defective.

NoCry's warranty applies to ONLY products being sold by Authorized Resellers. We regretfully will not provide any warranty for products sold by any other sources. Proof of purchase will be required to obtain warranty. Please review the warranty carefully, and contact us if you have any questions.

HOW TO CONTACT NOCRY

We're glad to have you join the NoCry community, and we hope you are happy with your new NoCry heat gun. If you have any questions or concerns, let us know by emailing **wecare@nocry.com**

We'd also love to connect with you via social media. You can find us on Instagram, Facebook and Pinterest by searching "NoCry Work & Safety Gear".

So was it a thumbs up or a thumbs down for your experience with your NoCry heat gun?



If this is your response, know that at NoCry, we try to treat everyone like we'd treat our own mum. On her birthday, no less. So **please let us know what went wrong by sending us an email at wecare@nocry.com**. We'll be on the case right away.



If you're happy with your purchase, why not spread the word to others who are looking for a heat gun AND **help us serve you better and grow as a company**, by leaving a review on Amazon? To leave a review, go to Amazon > Orders (top menu) > Write a product review. Or search for the NoCry heat gun on Amazon, and leave your review that way.